



CARAVAN AND TRAILER ANTI THEFT DEVICE AND
SECONDARY SAFETY BRAKE

DRAWINGS

Wuli anti-theft device is designed to provide
peace of mind that non motorised vehicles will
be
“Where U Left It”

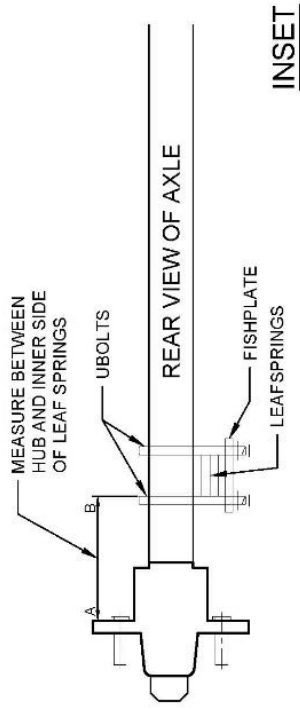
Wuli Pty Ltd
www.wuli.com.au
ABN: 32 159 644 014

FREE WHEELING HUB NO BRAKES WITH LEAF SPRING SUSPENSION

WULI STDL NEEDS APPROX 140mm FROM POINT A TO POINT B

WULI STDS NEEDS APPROX 150mm OR MORE FROM POINT A TO POINT B

NOT TO SCALE

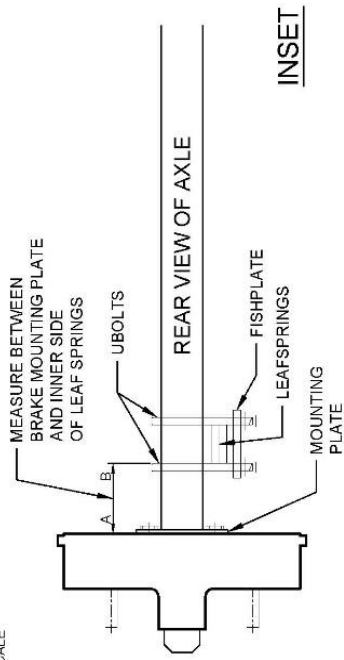


DRUM BRAKE WITH LEAFSPRING SUSPENSION

WULI STDL NEEDS APPROX 70mm FROM POINT A TO POINT B

WULI STDS NEEDS APPROX 80mm OR MORE FROM POINT A TO POINT B

NOT TO SCALE



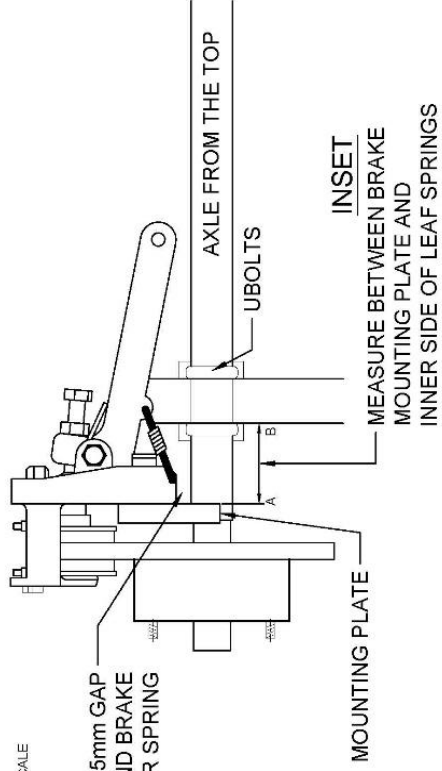
DISC BRAKES WITH LEAFSPRING SUSPENSION (TROJAN/ARK/ALKO)

WULI STDL NEEDS APPROX 55mm FROM POINT A TO POINT B

WULI STDS NEEDS APPROX 70mm OR MORE FROM POINT A TO POINT B

NOT TO SCALE

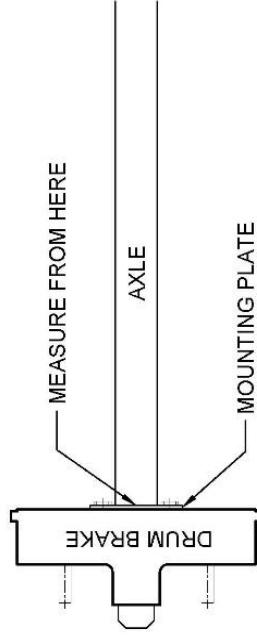
NEED APPROX. 15mm GAP
BETWEEN AXLE AND BRAKE
CALIPER OR SPRING



INDEPENDENT SUSPENSION WITH DRUM BRAKES

WULI STDS NEEDS MINIMUM OF 70mm FROM BRAKE MOUNTING PLATE TO ANY OTHER FIXTURES

NOT TO SCALE

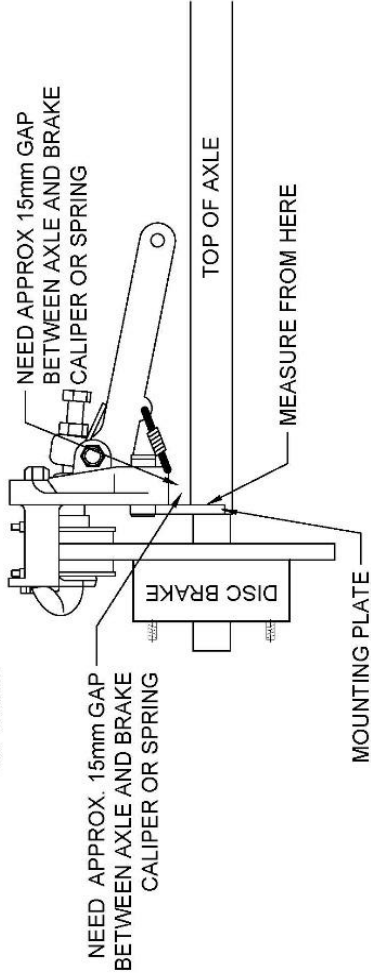


WULI STDS suits Alko
Enduro and Jayco
JTech Outback range

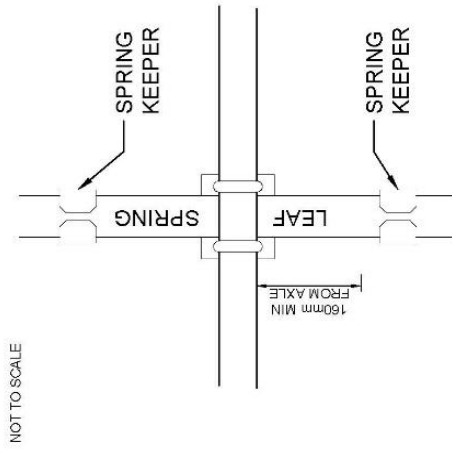
INDEPENDENT SUSPENSION BRAKES (TROJAN/ARK/ALKO)

WULI STDS NEEDS MINIMUM OF 55mm FROM BRAKE MOUNTING PLATE TO ANY OTHER FIXTURES

NOT TO SCALE



**WHEN MEASURING TO LEAF SPRING:
IF THE DISTANCE BETWEEN SPRING KEEPER AND AXLE IS WITHIN 160mm
TAKE THE MEASUREMENT FROM THE SPRING KEEPER NOT THE LEAF SPRING**



INSET