



CARAVAN AND TRAILER ANTI THEFT DEVICE

Suitability Guidelines

Wuli anti-theft device is designed to provide
peace of mind that non motorised vehicles will
be
“Where U Left It”

Wuli Pty Ltd
www.wuli.com.au
ABN: 32 159 644 014

Choosing the correct WULI

Caravans and trailers whilst they mostly look the same in terms of having two or four wheels the suspension and braking systems are vastly different from model to model, therefore it is incredibly important that you check what your non motorised vehicle has happening on board.

This brochure has been designed to make this process as easy as possible for you. Whilst it looks complicated it should take no more than five minutes.

Please note Wuli has been tested for vehicles up to 3 tonne Aggregate Trailer Mass.

Let's get started.....

Step One

Check the rim size

Wuli is suitable for vehicles that have a 14 inch and above rim. You can easily identify your rim size from the tyre. Yes, it's that simple.

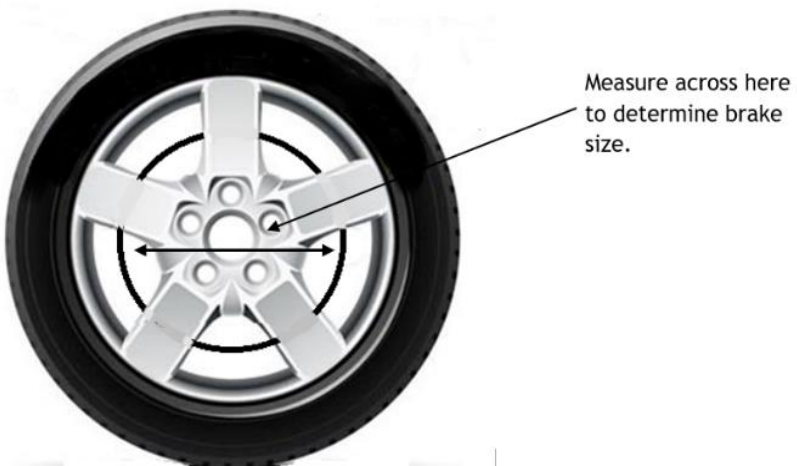
Your tyre wall has a range of information on it. The rim size is shown by a “R” with a number after it. So, if your tyre has R14 or a number greater than this Wuli will fit.

Step Two

Brake size

If your vehicle has a braking system you will need to identify what size brakes are on board. For Wuli to be suitable the brake size must be 10 inches or less, this represents approximately 285 mm or less. Refer to the diagram below for guidance.

BRAKE SIZE DIAGRAM



Step Three

Identify stud pattern

Most vehicles will have either a Ford/Holden **5 stud** or Landcruiser/ Nissan Patrol **5 or 6 stud** pattern. Wuli has a different component for each one. To help you identify which one your vehicle has refer to the diagram below. If your wheel has five studs and measures between 64mm – 68mm it is a Ford/ Holden stud. If the measurement is approximately 88 mm it is a Landcruiser/Nissan stud. If you have six studs and measures approximately 70 mm it is also a Landcruiser/Nissan stud. If you do not have a standard stud pattern Wuli is unlikely to fit. Refer to the diagram below for guidance.

FLYWHEEL CALCULATION DIAGRAM



Step Four

Identify axle size

Your vehicle will require a square axle for Wuli to fit. Your axle size will be either a 40 mm, 45 mm or 50 mm. If you have an overlay axle, you will need to contact us directly and place a special order.

Step Five

Clearances for fitting

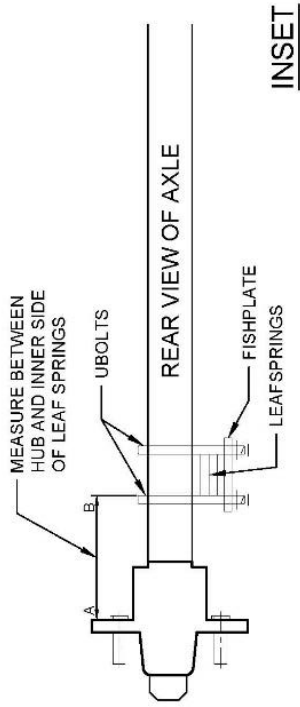
Nearly there... all you need to do now is identify which **ONE** of the drawings best suits.

FREE WHEELING HUB NO BRAKES WITH LEAF SPRING SUSPENSION

WULI STDL NEEDS APPROX 140mm FROM POINT A TO POINT B

WULI STD5 NEEDS APPROX 150mm OR MORE FROM POINT A TO POINT B

NOT TO SCALE

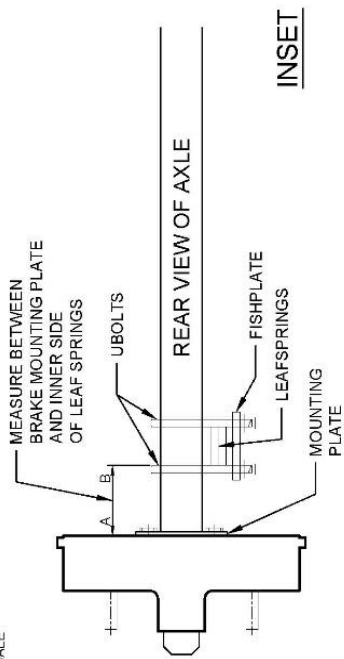


DRUM BRAKE WITH LEAFSPRING SUSPENSION

WULI STDL NEEDS APPROX 70mm FROM POINT A TO POINT B

WULI STDS NEEDS APPROX 80mm OR MORE FROM POINT A TO POINT B

NOT TO SCALE



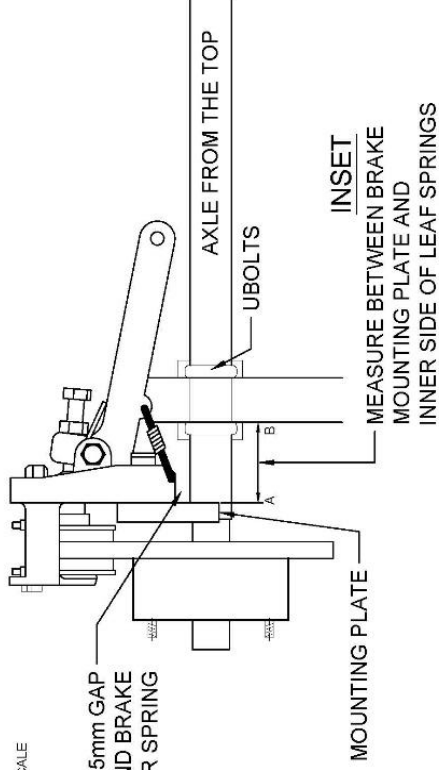
DISC BRAKES WITH LEAFSPRING SUSPENSION (TROJAN/ARK/ALKO)

WULI STDL NEEDS APPROX 55mm FROM POINT A TO POINT B

WULI STDS NEEDS APPROX 70mm OR MORE FROM POINT A TO POINT B

NOT TO SCALE

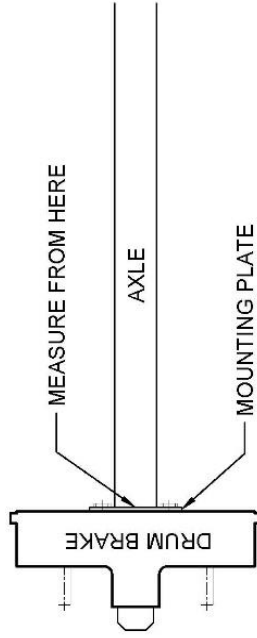
NEED APPROX. 15mm GAP
BETWEEN AXLE AND BRAKE
CALIPER OR SPRING



INDEPENDENT SUSPENSION WITH DRUM BRAKES

WULI STDS NEEDS MINIMUM OF 70mm FROM BRAKE MOUNTING PLATE TO ANY OTHER FIXTURES

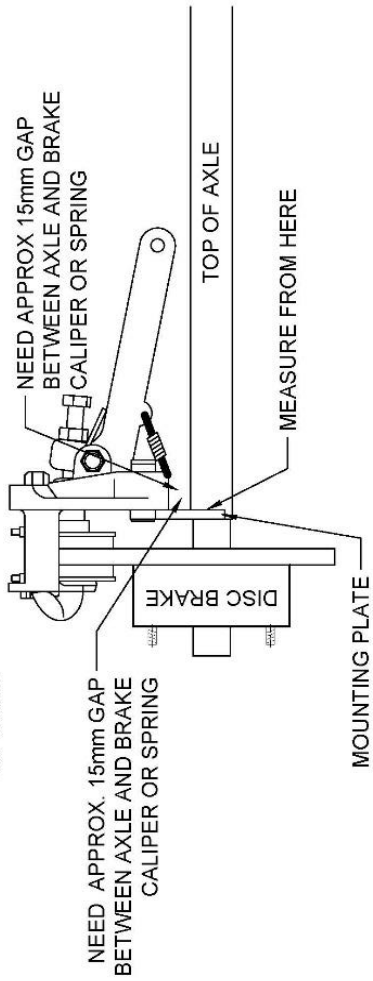
NOT TO SCALE



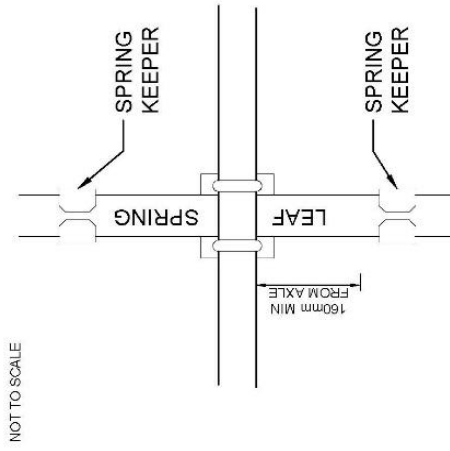
INDEPENDENT SUSPENSION BRAKES (TROJAN/ARK/ALKO)

WULI STDS NEEDS MINIMUM OF 55mm FROM BRAKE MOUNTING PLATE TO ANY OTHER FIXTURES

NOT TO SCALE



WHEN MEASURING TO LEAF SPRING:
IF THE DISTANCE BETWEEN SPRING KEEPER AND AXLE IS WITHIN 160mm
TAKE THE MEASUREMENT FROM THE SPRING KEEPER NOT THE LEAF SPRING



INSET